

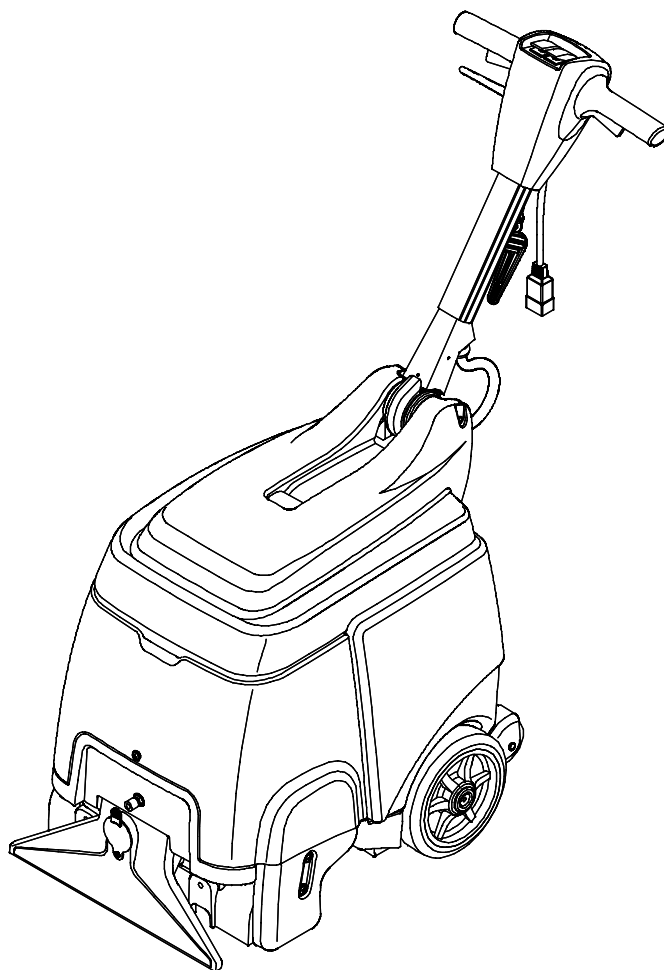
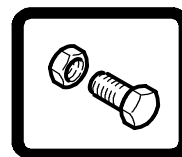


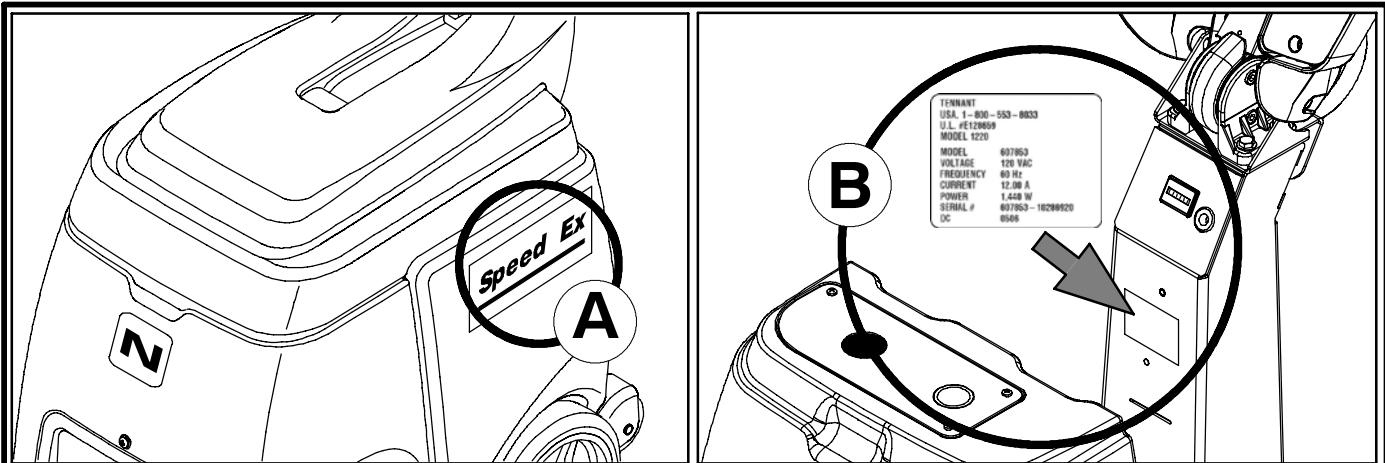
Model 9004201-120V

SPEED EX™

PORTABLE CARPET EXTRACTOR
(S/N 10000000-20000000)

PARTS MANUAL





Ref	Part No.	Serial Number	Description	Qty.
1	82681	(000000-)	Bracket W/dt, Lpg Mount	1
2	63810	(000000-)	Ch Assy, Lpg Tank Mtg, W/Nut	4
3	51839	(000000-)	at Adjustable, Lpg Tank Mtg	2
4	49263	(000000-)	Tie, Cable	3
	82556	(000000-001039)	Bracket, Vaporizer	1
	54930	(000000-)	Vaporizer, LPG	1

HOW TO ORDER PARTS - See diagram above

Only use TENNANT Company supplied or equivalent parts. Parts and supplies may be ordered online, by phone, by fax or by mail.

Follow the steps below to ensure prompt delivery.

1. (A) Identify the machine model.
2. (B) Identify the machine serial number from the data label.
3. (C) Ensure the proper serial number is used from the parts list.
4. Identify the part number and quantity.
Do not order by page or reference numbers.
5. Provide your name, company name, customer ID number, billing and shipping address, phone number and purchase order number.
6. Provide detail shipping instructions.

- (D) ▽ - identifies an assembly
 ▲ - identifies parts included in assembly
 (E) ● - identifies a recommended stock item

Please fill out at time of installation for future reference.

Model No. - _____
 Serial No. - _____
 Machine Options - _____
 Sales Rep. - _____
 Sales Rep. phone no. - _____
 Customer ID Number - _____
 Installation Date - _____

Tennant Company

PO Box 1452
 Minneapolis, MN 55440
 Phone: (800) 553-8033 or (763) 513-2850

www.nobles.com

Specifications and parts are subject to change without notice.

Copyright © 2009 TENNANT Company, Printed in U.S.A.

TABLE OF CONTENTS

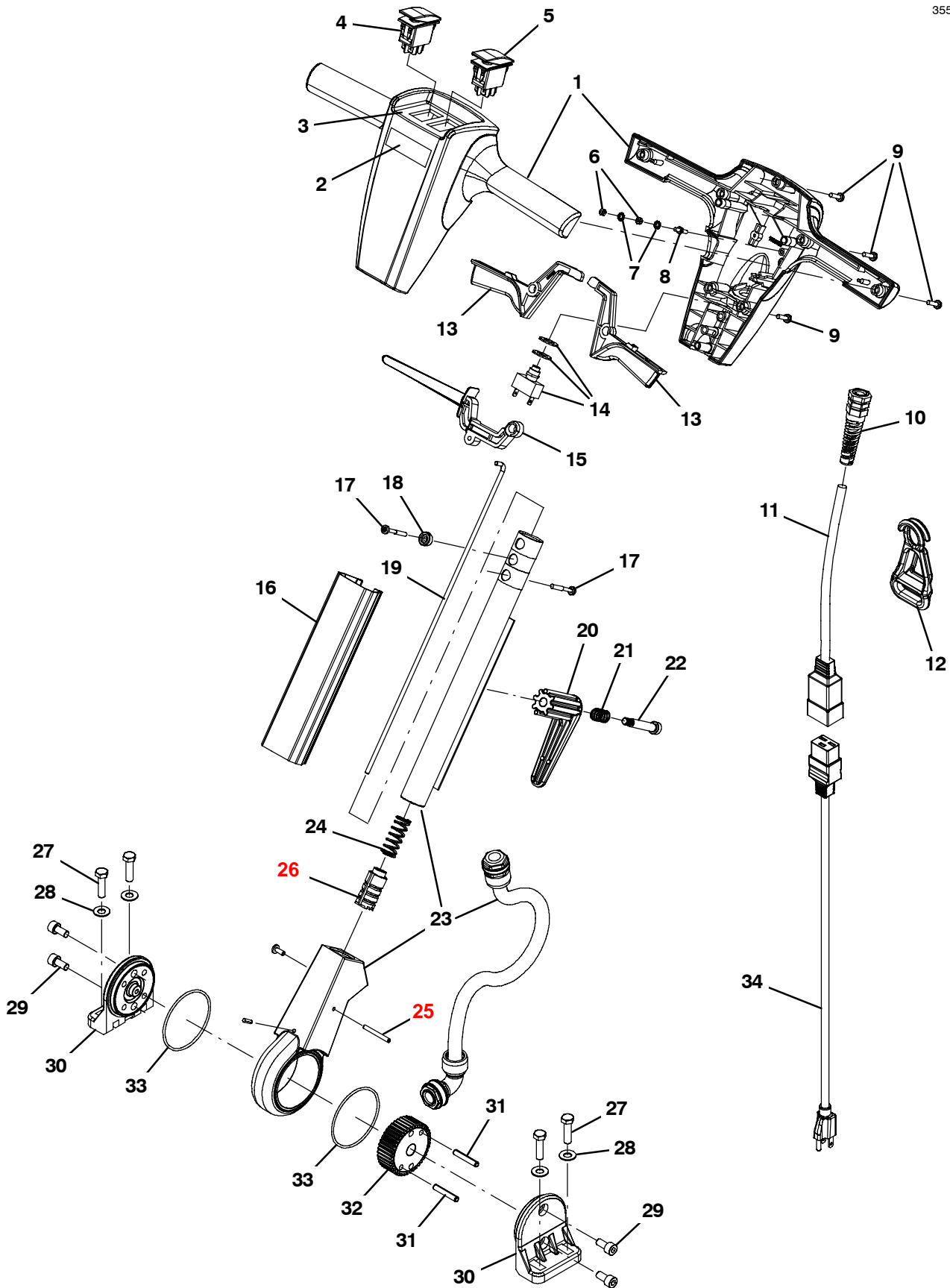
HANDLE GROUP 4
FRAME GROUP 6
TANKS AND SHROUD GROUP 8
TANK COVER GROUP 10
VACUUM FAN GROUP 12
SOLUTION GROUP 14
SCRUB HEAD GROUP 16
ELECTRICAL DIAGRAM 18

OPTIONS

WAND GROUP, 8 in / 203 mm 20
HAND TOOL GROUP, 4 in / 101 mm 22
PUMP-UP CARPET SPRAYER 24

HANDLE GROUP

355082



HANDLE GROUP

Ref.	Part No.	Serial Number	Description	Qty.
▽	9005512	(10000000-20000000)	● Handle, Nobles Speed Ex 15"	1
▲▽	1 9004322	(10000000-20000000)	● Cover, Handle Front/Rear Nobles Se Kit	1
▲▲	2 1039088	(10000000-20000000)) Label, Logo, Handle [Nobles]	1
▲▲	3 1034593	(10000000-20000000)) Label, Opertnl, Instrmt Panl, Extrcr	1
▲	4 609657	(10000000-20000000)	● Switch, Rocker, On / Off / On	1
▲	5 602919	(10000000-20000000)	● Switch, Rocker, Dpdt, On / On	1
▲	6 42368	(10000000-20000000)) Nut, Hex, Std, M4 X 0.70, 8	2
▲	7 140061	(10000000-20000000)) Washer, Lock, Ext, 08, Pl	2
▲	8 1034952	(10000000-20000000)) Screw, Hex, M4 X 0.7 X 12, Dbl Thrd	1
▲	9 1043573	(10000000-20000000)) Screw, #10-14 X 0.675, Spl[Shcs,Selftap]	7
▲	10 130166	(10000000-20000000)	● Grip, Cord, Strainrelief Pg-11 W/Nut Bk	1
▲	11 1042410	(10000000-20000000)	● Cord, 14ga /3, 16.0l, W/ Receptacle, Yel	1
▲	12 1037147	(10000000-20000000)	● Clip, Cord, Strainrelief, Black	1
▲	13 1033893	(10000000-20000000)	● Lever, Cntrl, Switch [Trex]	2
▲	14 130712	(10000000-20000000)	● Switch, Push, Spst, No	1
▲	15 1034945	(10000000-20000000)) Lever, Adjmt, Handle	1
▲	16 1036599	(10000000-20000000)) Cover, Handle, Nobles [Trex]	1
▲	17 1043572	(10000000-20000000)) Screw, #10-14 X 01.5, Spl[Shcs Selftap]	2
▲	18 1034176	(10000000-20000000)) Bushing, Flng, 5mmb 12mmd 8mml, Pa6	1
▲	19 1034180	(10000000-20000000)) Rod, Release [Trex]	1
▲	20 603104	(10000000-20000000)	● Hook, Cord, Blk [Quick-Release]	1
▲	21 603108	(10000000-20000000)) Spring, Cmpr, Switch	1
▲	22 140239	(10000000-20000000)) Bolt, Shld, .38d X 1.75, .31-18	1
▲	23 1045239	(10000000-20000000)) Tube, Assy, Handle	1
▲	24 1013295	(10000000-20000000)) Spring, Cmpr [2100 Series]	1
▲	25 1034924	(10000000-20000000)) Pin, Roll	1
▲	26 9006059	(10000000-20000000)) Plunger Kit, Handle	1
▲	27 1016399	(10000000-20000000)) Screw, Hex, M8 X 1.25 X 30, Ni, Ss	4
▲	28 140027	(10000000-20000000)) Washer, Flat, 0.35b 0.75d .04, Ss	4
▲	29 49609	(10000000-20000000)) Screw, Soc, M8 X 1.25 X 16, 12.9	4
▲	30 1000307	(10000000-20000000)) Handle, Pivot, Half	2
▲	31 1034155	(10000000-20000000)) Pin, Roll, 06mmd X 36mml	2
▲	32 1034872	(10000000-20000000)	● Gear, Lock, Handle	1
▲	33 612422	(10000000-20000000)	● Seal, Org, Gear Seat	2
▲	34 1042403	(10000000-20000000)	● Cord, Power, 1.5mm /3 Yel[2x15m 50ft Us]	1

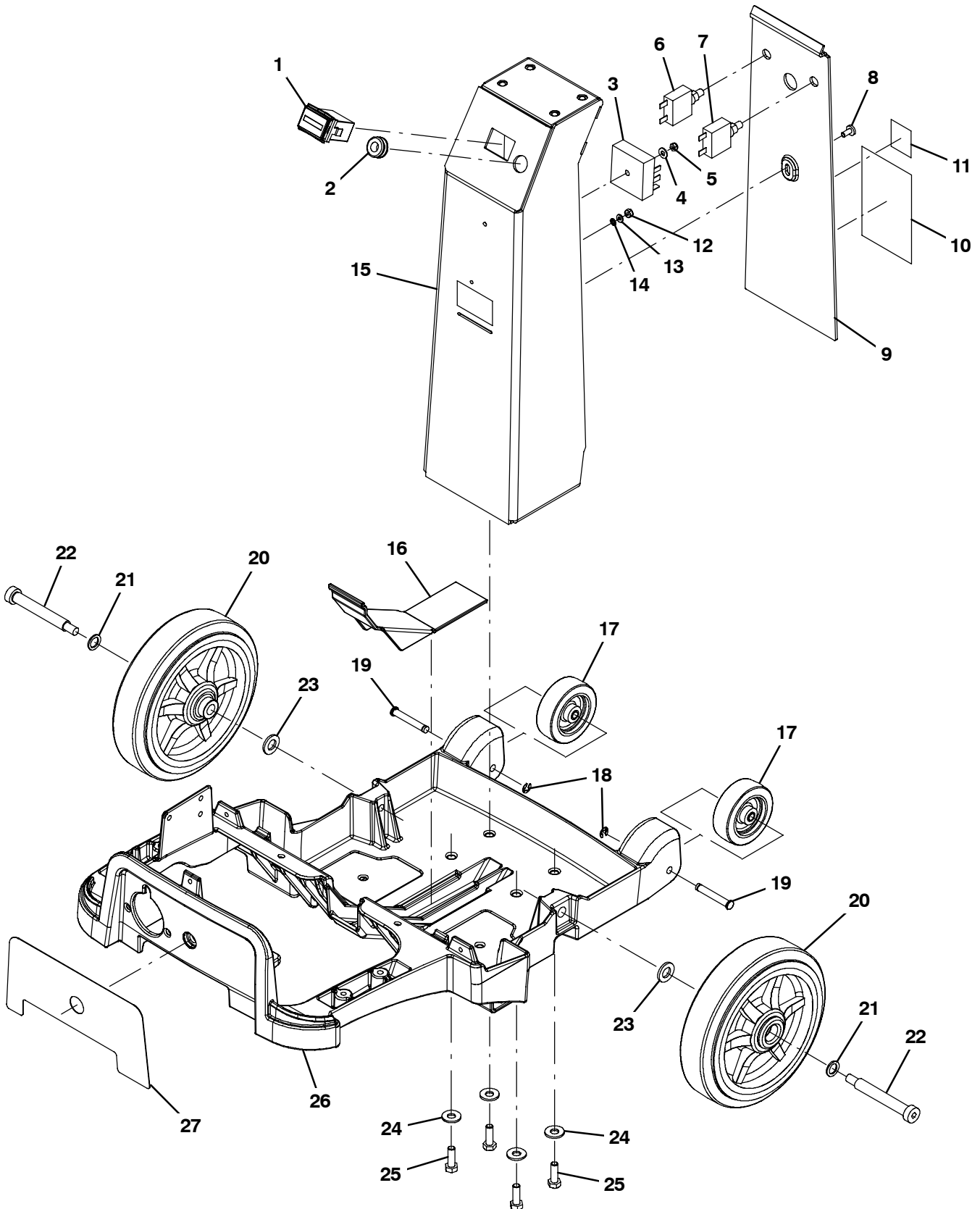
▽ ASSEMBLY

▲ INCLUDED IN ASSEMBLY

● RECOMMENDED STOCK ITEMS

FRAME GROUP

355044



FRAME GROUP

Ref.	Part No.	Serial Number	Description	Qty.
1	1033904	(10000000-20000000)	● Meter, Hour, 120 Volt [T-Rex]	1
2	86726	(10000000-20000000)) Grommet, Rbr, 0.44id, F/0.5h, .19 Matl	1
3	1037248	(10000000-20000000)	● Timer, 120volt, 4s [T-Rex Extractor]	1
4	01683	(10000000-20000000)) Washer, Flat, 10, Ss	1
5	09739	(10000000-20000000)) Nut, Hex, Lock, M5 X 0.80, NI, Ss	1
6	383720	(10000000-20000000)	● Circuitbreaker, 05.0a, Resetable	1
7	383722	(10000000-20000000)	● Circuitbreaker, 15.0a, Resetable	1
8	1043600	(10000000-20000000)) Filter, Pump, 250 Vac, 3a, 50/60hz	1
▽	9	9004274) Column Kit, Sppt, W/ Label [5 Gal]	1
▲	10	1039105) Label,Warning,Ac Scrbr/Extr [En/Fr/Es/Jp]	1
▲	11	NA) Label, Safety, 120vac [Etl]	1
	12	1044427) Nut, Hex, Lock, #8-32, NI, Ss	1
	13	41578) Washer, Flat, 06, Ss	1
	14	02938) Washer, Lock, Int, 08, Ss	1
	15	9004274) Column Kit, Sppt, W/ Label [5 Gal]	1
	16	1031418) Cover, Frame, Rear [Trex]	1
	17	1014918	● Wheel, 03.0d 0.88w 0.31b, W/ Bshg, Rbr	2
	18	1035139) Ring, Retaining, Ext, 0.31d, E-Type	2
	19	1035137) Pin, Clevis, Grvd 0.31d X 2.00l, Ss	2
	20	1039073	● Wheel Assy, 8.0d 2.0w 0.5b W/Brg	2
	21	1038770) Washer, Flat, 0.50b 0.75d 0.06, Ss	2
	22	1033757) Bolt, Shld, .50 X 3.25, .38-16, Ss	2
	23	33925) Washer, Flat, M12, Ss	2
	24	01685) Washer, Flat, 0.38b 0.88d .08, Ss	4
	25	1015852) Screw, Hex, M8 X 1.25 X 25, NI, Fl, Ss	4
▽	26	9004297) Frame, W/ Front Decal Kit Nobles	1
▲	27	1038092) Label, Extractor, Nobles	1
	N/S	1033925) Harness, Chassis, Ele [T-Rex Extractor]	1

▽ ASSEMBLY

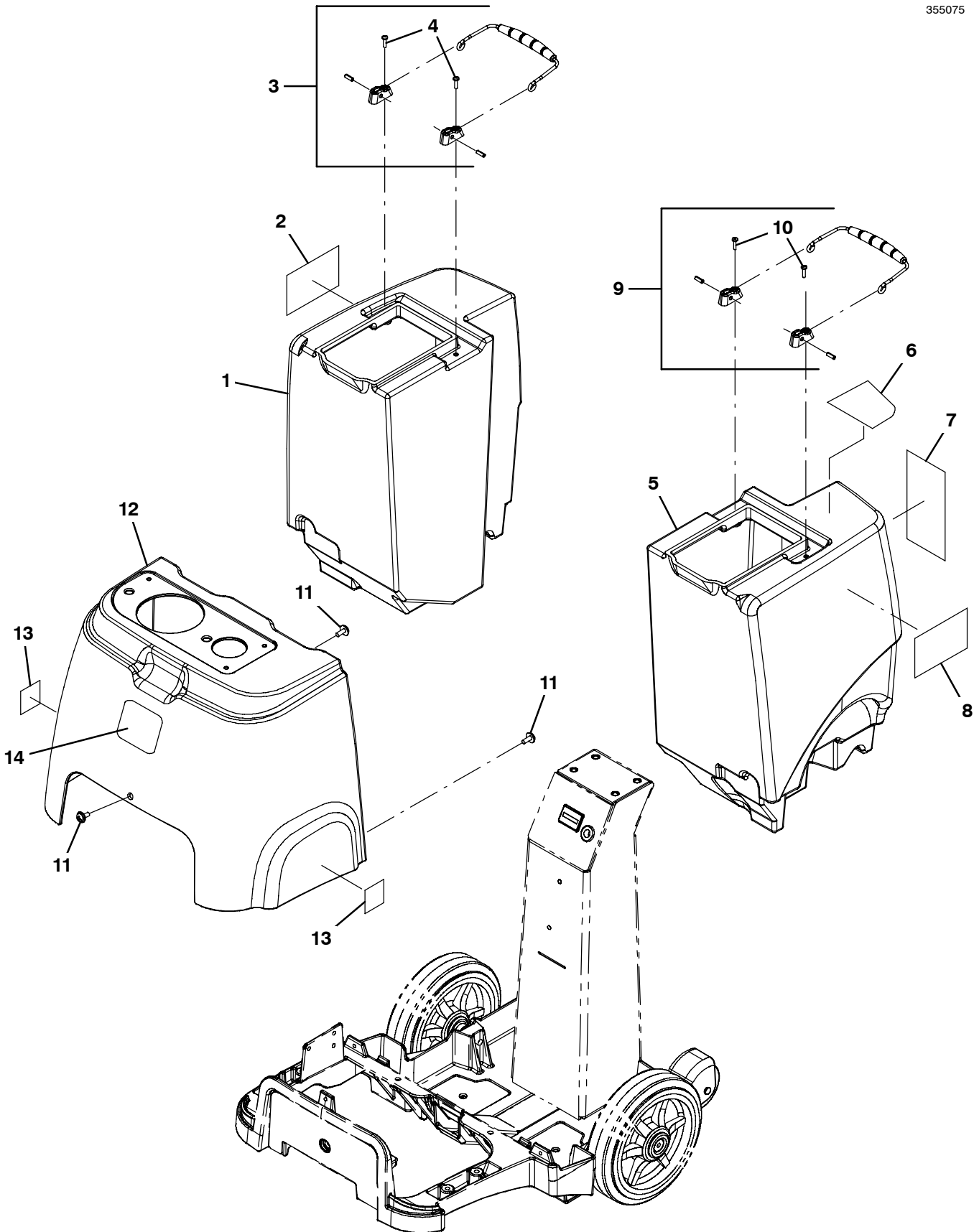
▲ INCLUDED IN ASSEMBLY

● RECOMMENDED STOCK ITEMS

N/S = NOT SHOWN

TANKS AND SHROUD GROUP

355075



TANKS AND SHROUD GROUP

Ref.	Part No.	Serial Number	Description	Qty.
▽	1	9004309	(10000000-20000000) Tank, Rec W/ Labels Nobles 5 Gal Kit	1
▲	2	1039500	(10000000-20000000) Label, Side, Extractor	1
▲▽	3	9004285	(10000000-20000000)● Handle, Tank Kit	1
▲▲	4	24265	(10000000-20000000) Screw, Pan, Phl, M4 X 0.70 X 16, Ss	2
▽	5	9004311	(10000000-20000000) Tank, Soltn W/ Labels Nobles 5 Gal Kit	1
▲	6	1038968	(10000000-20000000) Label, Soltn, Tank [5.0 Gal]	1
▲	7	1040114	(10000000-20000000) Label, Oper, Instr [Extractor]	1
▲	8	1039500	(10000000-20000000) Label, Side, Extractor	1
▲▽	9	9004285	(10000000-20000000)● Handle, Tank Kit	1
▲▲	10	24265	(10000000-20000000) Screw, Pan, Phl, M4 X 0.70 X 16, Ss	2
	11	1019349	(10000000-20000000) Screw, Trs, M6 X 1.00 X 16, Ss, Sems	3
▽	12	9004300	(10000000-20000000) Shroud, W/ Labels Nobles 5 Gal Kit	1
▲	13	578769	(10000000-20000000) Decal, Moving Parts Textless	2
▲	14	1034636	(10000000-20000000) Label, Front, 3.00 [Nobles Icon]	1

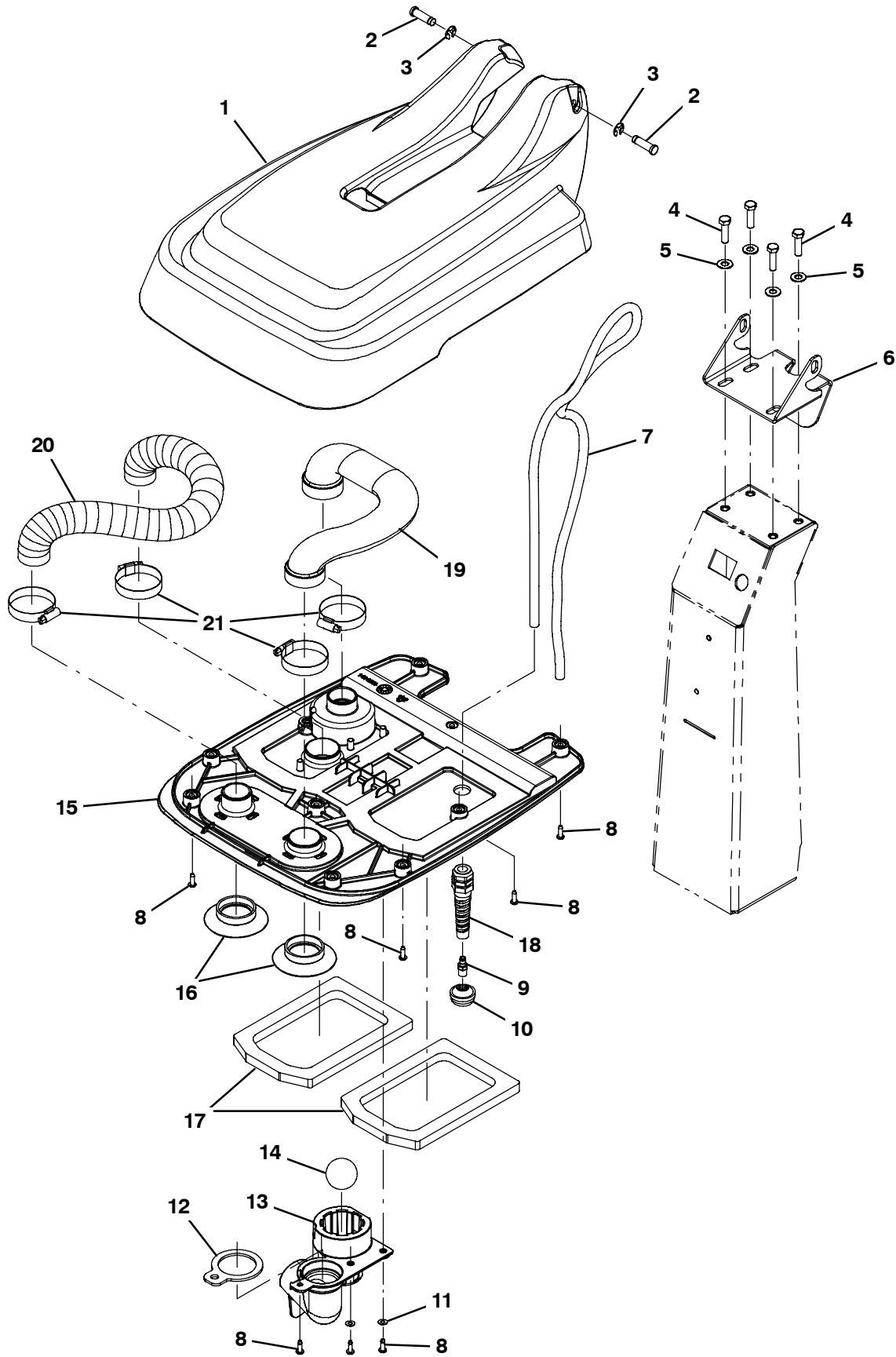
▽ ASSEMBLY

▲ INCLUDED IN ASSEMBLY

● RECOMMENDED STOCK ITEMS

TANK COVER GROUP

355047



TANK COVER GROUP

Ref.	Part No.	Serial Number	Description	Qty.	
1	1037759	(10000000-20000000)	Cover , Tanks, Upper, Nobles [Trex]	1	
2	1035358	(10000000-20000000)	Pin, Grvd, 0.375d, 1.25l	2	
3	24555	(10000000-20000000)	Ring, Retaining, Ext, 0.38d, [E-Ring]	2	
4	1016399	(10000000-20000000)	Screw, Hex, M8 X 1.25 X 30, NI, Ss	4	
5	140027	(10000000-20000000)	Washer, Flat, 0.35b 0.75d .04, Ss	4	
6	1034346	(10000000-20000000)	Bracket, Pivot, Cover, Mtg	1	
7	1036078	(10000000-20000000)	Hose, Soltn, .25 Id, .453 Od, 39.25 L	1	
8	140340	(10000000-20000000)	Screw, Pan, Phl, 10-24 X 0.62, Ss[Typ25]	13	
9	1042715	(10000000-20000000)	Fitting, Brs, Str, Bm04/Pm02	1	
10	1032556	(10000000-20000000)	● Filter, Soltn Tube, 80 Mesh	1	
11	140011	(10000000-20000000)	Washer, Flat, 0.21b 0.45d .03, Ss	2	
12	1051274	(10000000-20000000)	Gasket, Shield, Float	1	
13	1042277	(10000000-20000000)	Shield, Float	1	
14	1044370	(10000000-20000000)	● Ball, Float, W/O Cage	1	
▽	15	9005924	(10000000-20000000)	Cover, Tank, Inner W/ Seals, Kit	1
▲	16	1036090	(10000000-20000000)	● Seal, Vacuum [Trex]	2
▲	17	1034801	(10000000-20000000)	● Gasket, Tank	2
▲	18	130167	(10000000-20000000)	● Strainrelief, Cord, Ele, Pm08, Blk Nyl	1
	19	1035866	(10000000-20000000)	Hose, Recvy, Formed [Trex]	1
	20	1037756	(10000000-20000000)	● Hose, Vacuum, 1.5od, 18.0l [Wire-Reinf]	1
	21	140308	(10000000-20000000)	Clamp, Hose, Wormdrive, 1.31-2.25d, .50w	4

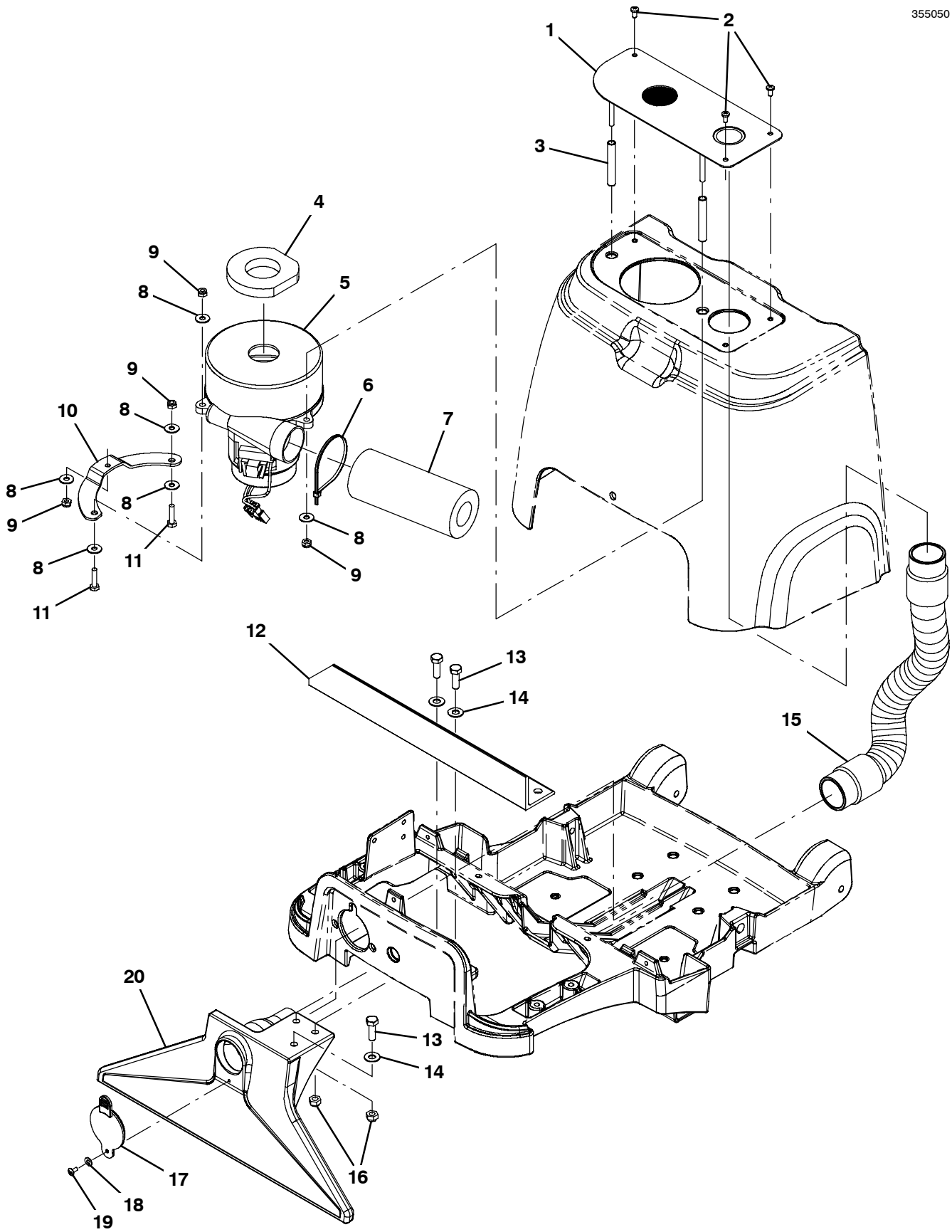
▽ ASSEMBLY

▲ INCLUDED IN ASSEMBLY

● RECOMMENDED STOCK ITEMS

VACUUM FAN GROUP

355050



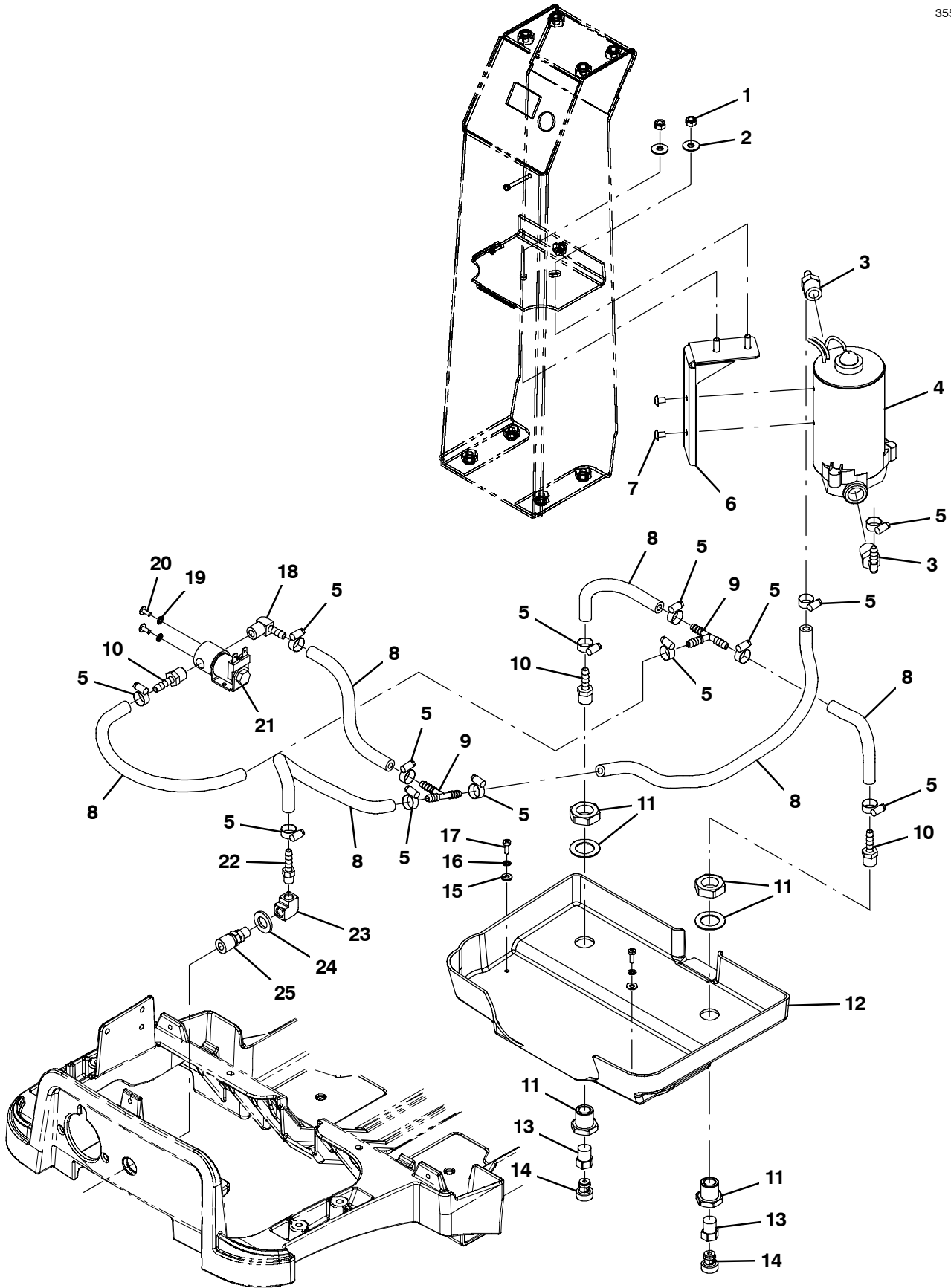
VACUUM FAN GROUP

Ref.	Part No.	Serial Number	Description	Qty.
1	1031960	(10000000-20000000)	Plate, Mtg, Vacuum	1
2	1026454	(10000000-20000000)	Screw, Pan, Phl, M5 X 0.80 X 10, Ss	3
3	610144	(10000000-20000000)	Spacer, Fan	2
4	630010	(10000000-20000000)	● Gasket, 12.7mm Th, 43mmid 73mmmod	1
5	1037541	(10000000-20000000)	● Fan, Vacuum, 5.7d, 120 Vac, 2 Stage	1
6	130773	(10000000-20000000)	Tie, Cable, Nyl, 11.0l, .14w, 3.0 Max. D	1
7	600009	(10000000-20000000)	● Muffler, Exhaust, Vacfan	1
8	01684	(10000000-20000000)	Washer, Flat, 0.27b 0.69d .05, Ss	6
9	08708	(10000000-20000000)	Nut, Hex, Lock, M6 X 1.00, NI	4
10	1034069	(10000000-20000000)	Plate, Vac Mounting	1
11	09007	(10000000-20000000)	Screw, Hex, M6 X 1.00 X 25, Ss	2
12	1045263	(10000000-20000000)	Brace, Frame	1
13	1015852	(10000000-20000000)	Screw, Hex, M8 X 1.25 X 25, NI, FI, Ss	3
14	140027	(10000000-20000000)	Washer, Flat, 0.35b 0.75d .04, Ss	3
15	1032555	(10000000-20000000)	● Hose, Vacuum, 1.50id X 19.5l, 2cuff, Clr	1
16	08713	(10000000-20000000)	Nut, Hex, Lock, M8 X 1.25, NI, Ss	3
17	607183	(10000000-20000000)	Seal, Cap, Vacuum Tool [607170]	1
18	140011	(10000000-20000000)	Washer, Flat, 0.21b 0.45d .03, Ss	1
19	140801	(10000000-20000000)	Screw, Trs, Phl, 08-32 X 0.38, Ss	1
20	1035555	(10000000-20000000)	Tool, Floor [Machined]	1

● RECOMMENDED STOCK ITEMS

SOLUTION GROUP

355049



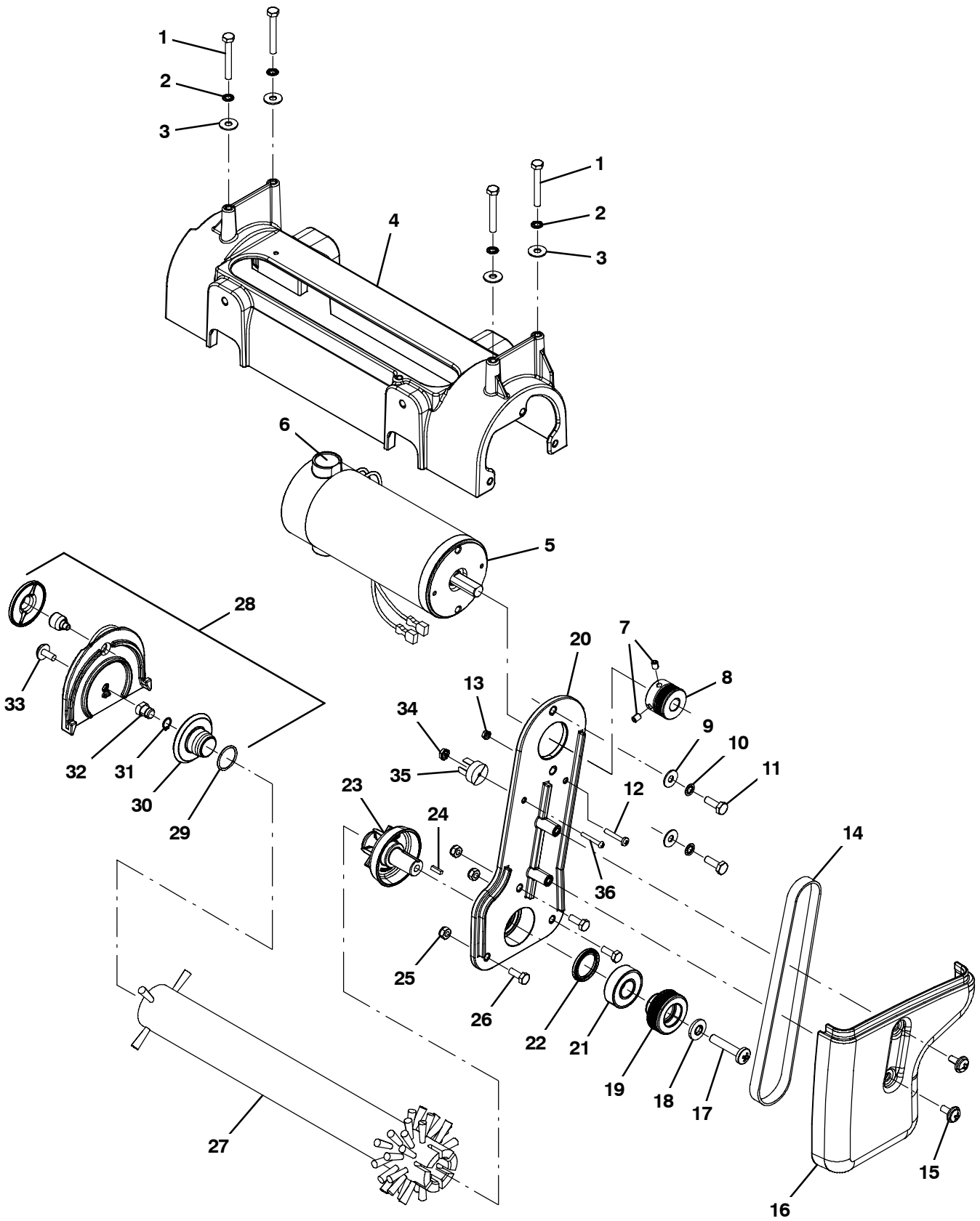
SOLUTION GROUP

Ref.	Part No.	Serial Number	Description	Qty.
1	08712	(10000000-20000000)) Nut, Hex, Lock, M6 X 1.00, NI, Ss	2
2	01684	(10000000-20000000)) Washer, Flat, 0.27b 0.69d .05, Ss	2
3	150417	(10000000-20000000)) Fitting, Plstc, E90, Bm04/Pm06	2
4	1031915	(10000000-20000000))● Pump, Soltn, Ele, 110vac	1
5	43844	(10000000-20000000)) Clamp, Hose, Wormdrive, 0.25-0.62d, .31w	13
6	1034331	(10000000-20000000)) Bracket, Pump	1
7	140197	(10000000-20000000)) Screw, Trs, Phl, 10-24 X 0.38, Sems, Ss	2
8	606364	(10000000-20000000)) Hose, Pvc, Brd, 0.25id 0.50od 60.0l, Gray (160204)	1
9	150713	(10000000-20000000)) Fitting, Plstc, Tee, Bm04/Bm04/Bm04	2
10	150515	(10000000-20000000)) Fitting, Brs, Str, Bm04/Pm04 [Taped]	2
11	78122	(10000000-20000000)) Fitting, Brs, Str, Pf04/Pf04, Bh	2
12	1037350	(10000000-20000000)) Shroud, Nozzle [Extractor]	1
13	1034582	(10000000-20000000)) Nozzle Adapter, Qppm	2
14	1037338	(10000000-20000000))● Nozzle, Qmfv 110-06	2
15	41579	(10000000-20000000)) Washer, Flat, 08, Ss	2
16	02938	(10000000-20000000)) Washer, Lock, Int, 08, Ss	2
17	579237	(10000000-20000000)) Screw, Pan, Phl, M4 X 0.70 X 12, Ss	2
18	150418	(10000000-20000000)) Fitting, Brs, E90, Bm04/Pm04	1
19	02938	(10000000-20000000)) Washer, Lock, Int, 08, Ss	2
20	140801	(10000000-20000000)) Screw, Trs, Phl, 08-32 X 0.38, Ss	2
21	210033	(10000000-20000000))● Valve, Water, Solenoid, 120vac Pf04/Pf04	1
22	150525	(10000000-20000000)) Fitting, Brs, Str, Bm04/Pm02	1
23	150402	(10000000-20000000)) Fitting, Brs, E90, Pf02/Pf02	1
24	3148.816	(10000000-20000000)) Washer, Flat, 0.52b 0.88d .06, Stl, Pl	1
25	150915	(10000000-20000000))● Fitting, Brs, Qdc, Pm02, Fem [Ser 5]	1

● RECOMMENDED STOCK ITEMS

SCRUB HEAD GROUP

355048



SCRUB HEAD GROUP

Ref.	Part No.	Serial Number	Description	Qty.
1	1045325	(10000000-20000000)	Screw, Hex, M6 X 1.00 X 45, Ss	4
2	1027144	(10000000-20000000)	Washer, Lock, Int, M6, Ss	4
3	01684	(10000000-20000000)	Washer, Flat, 0.27b 0.69d .05, Ss	4
4	1034380	(10000000-20000000)	Housing, Brush, Sngl, 40cm	1
▽	5	1034457	● Motor, .25hp, 115vdc, 2.5a, 2400 Rpm	1
▲	6	1045234	● Brush, Carbon (Pk=2) Ref Part 1034457	2
7	09162	(10000000-20000000)	Screw, Set, Soc, M6 X 1.00 X 8, NI	2
8	1030620	(10000000-20000000)	Sheave, 07grv, 32.78pd [Ph]	1
9	01684	(10000000-20000000)	Washer, Flat, 0.27b 0.69d .05, Ss	2
10	07515	(10000000-20000000)	Washer, Lock, Int, 0.25, Ss	2
11	34323	(10000000-20000000)	Screw, Hex, .25-20 X 0.75, NI	2
12	1033197	(10000000-20000000)	Screw, Pan, Phl, M4 X 0.70 X 25, Ss	1
13	1007109	(10000000-20000000)	Nut, Hex, Lock, M4 X 0.70, Kep, Ext	1
14	9004283	(10000000-20000000)	● Belt Kit, W/ Installation Tool	1
15	1019349	(10000000-20000000)	Screw, Trs, M6 X 1.00 X 16, Ss, Sems	2
16	1037927	(10000000-20000000)	Cover, Belt, Spg (Single Roller)	1
17	603154	(10000000-20000000)	Screw, Pan, M8 X 1.25 X 40, Ss	1
18	41186	(10000000-20000000)	Washer, Flat, Belleville, .31	1
19	1030614	(10000000-20000000)	Sheave, 07grv, 42.3pd [Ph]	1
▽	20	9004281	Bracket, Motor Mount W/ Bearing/Seal Kit	1
▲	21	140123	● Bearing, Ball [1 Pc=1bearing]	1
▲	22	578138000	● Seal, Oil, Brg, .94id 1.31od	1
▲	23	1028662	Hub, Drive, Brush	1
24	578416	(10000000-20000000)	Key, Sq, 0.13 X 0.13, 0.50l	1
25	08712	(10000000-20000000)	Nut, Hex, Lock, M6 X 1.00, NI, Ss	3
26	15678	(10000000-20000000)	Screw, Hex, M6 X 1.00 X 16, Ss	3
27	1028954	(10000000-20000000)	● Brush, Scrub, 89mm Od X 386mm Long	1
▽	28	9004279	Door Kit, Brush, W/ Hdwr	1
▲	29	1042312	● Seal, Org, .070 X .875 Id, 020	1
▲	30	1030680	Hub, Idler, Brush	1
▲	31	01543	Ring, Retaining, Ext, 0.39d, Basic	1
▲	32	1030682	Shaft, Idler Plug	1
▲	33	1019349	Screw, Trs, M6 X 1.00 X 16, Ss, Sems	1
34	140534	(10000000-20000000)	Nut, Hex, #06-32, Nyl	1
35	130288	(10000000-20000000)	● Rectifier, Bridge, Rnd, 12a 1000volt, Ce	1
36	140946	(10000000-20000000)	Screw, Rnd, Slt, 06-32 X 1.00, Nyl	1

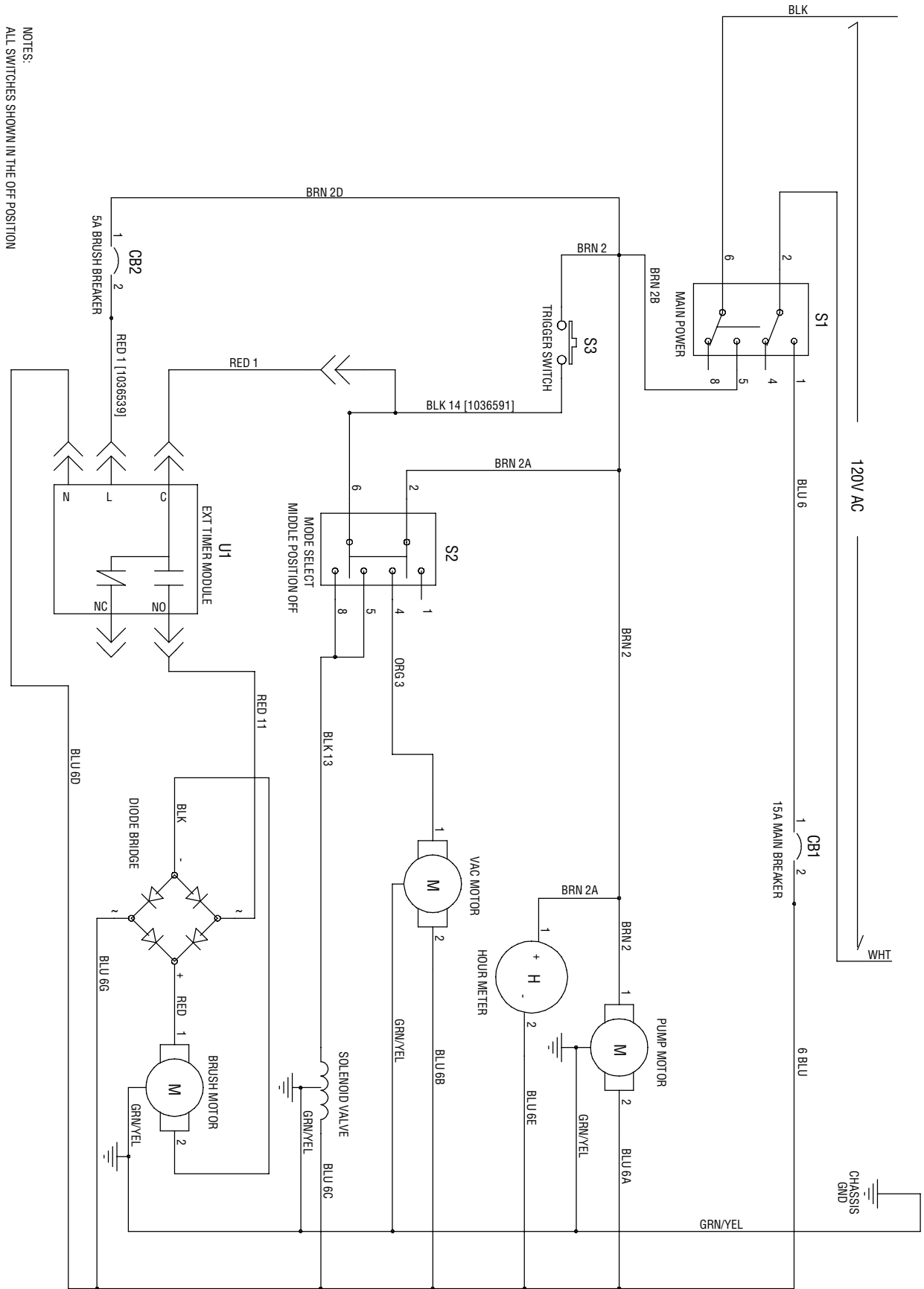
▽ ASSEMBLY

▲ INCLUDED IN ASSEMBLY

● RECOMMENDED STOCK ITEMS

ELECTRICAL DIAGRAM

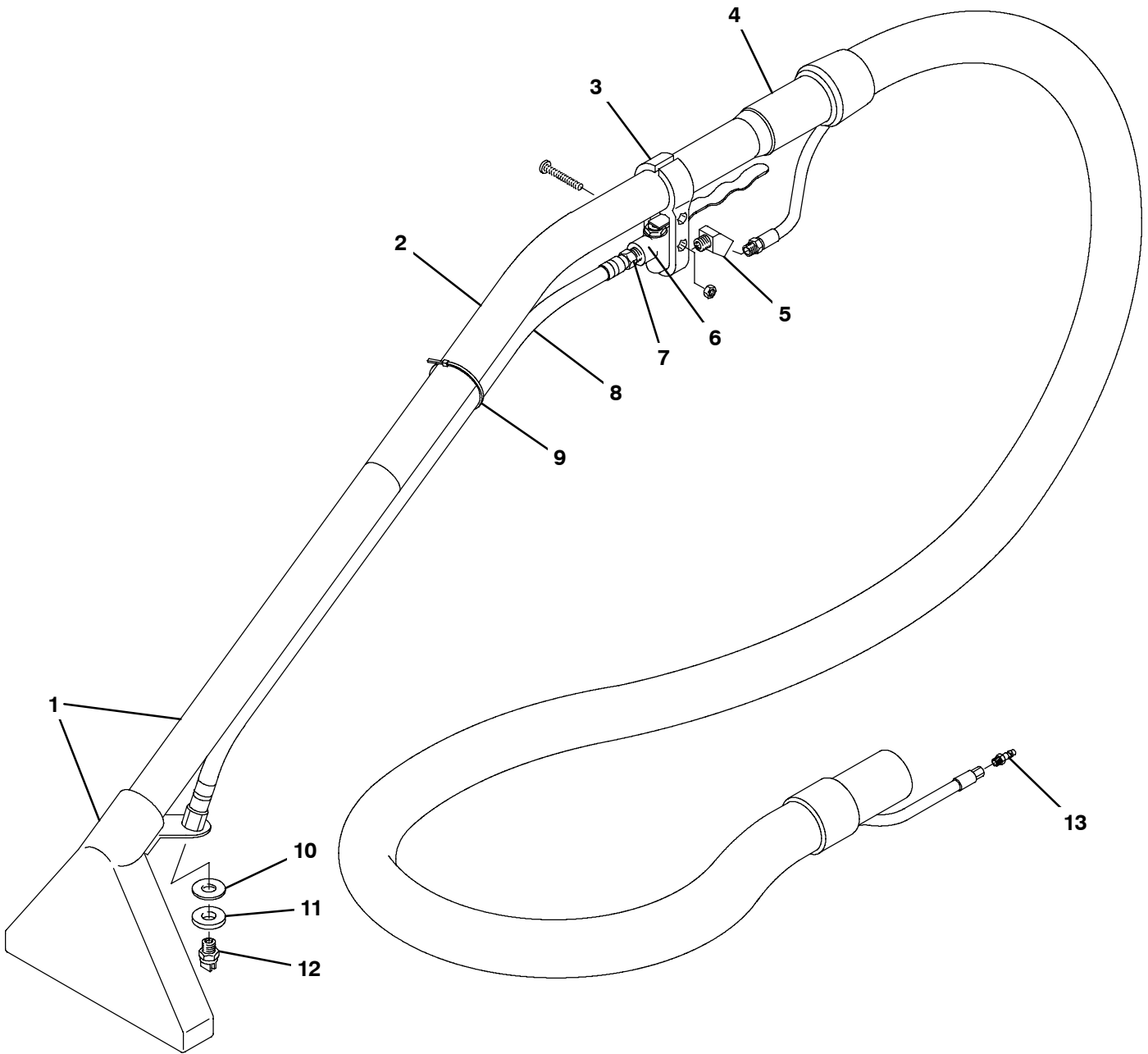
1046070



NOTES:
ALL SWITCHES SHOWN IN THE OFF POSITION

WAND GROUP, 8 in / 203 mm

355078



WAND GROUP, 8 in / 203 mm

Ref.	Part No.	Serial Number	Description	Qty.
▽	605976	(10000000-20000000)	● Tool, Pickup, Floor, 8.0w, Complt	1
▲	1 605977	(10000000-20000000)) Head Assy, W/ Lower Tube, 8.0inch	1
▲	2 200467	(10000000-20000000)) Wand [Upper Section Only]	1
▲	3 605988	(10000000-20000000)) Vr, Bracket, Hanger, Valve	1
▲	4 603546	(10000000-20000000)	● Hose Assy, 1.25 X 10ft [Hide-A-Hose]	1
▲	5 150403	(10000000-20000000)) Fitting, Brs, E45, Pf04/Pm04 [Taped]	1
▲	6 578064000	(10000000-20000000)	● Valve, Cntrl, Water	1
▲	7 150516	(10000000-20000000)) Fitting, Brs, Str, Bm06/Pm05	1
▲	8 605991	(10000000-20000000)	● Hose Assy, 0.25d [Whip]	1
▲	9 130041	(10000000-20000000)) Tie, Cable, Nyl, 11.5l .19w	1
▲	10 140058	(10000000-20000000)) Washer, Flat, 0.54b 0.88d .06, Ss [Wand]	1
▲	11 605990	(10000000-20000000)) Washer, Flat, .53 X 1.1 X .19, Abs	1
▲	12 605989	(10000000-20000000)	● Plstc Vee Jet 8002	1
▲	13 150921	(10000000-20000000)	● Fitting, Ss, Qdc, Pm02 [Ser 5]	1
	N/S 220040	(10000000-20000000)	● Bag, Hose, Accssry, 24x36[W/Draw String]	1

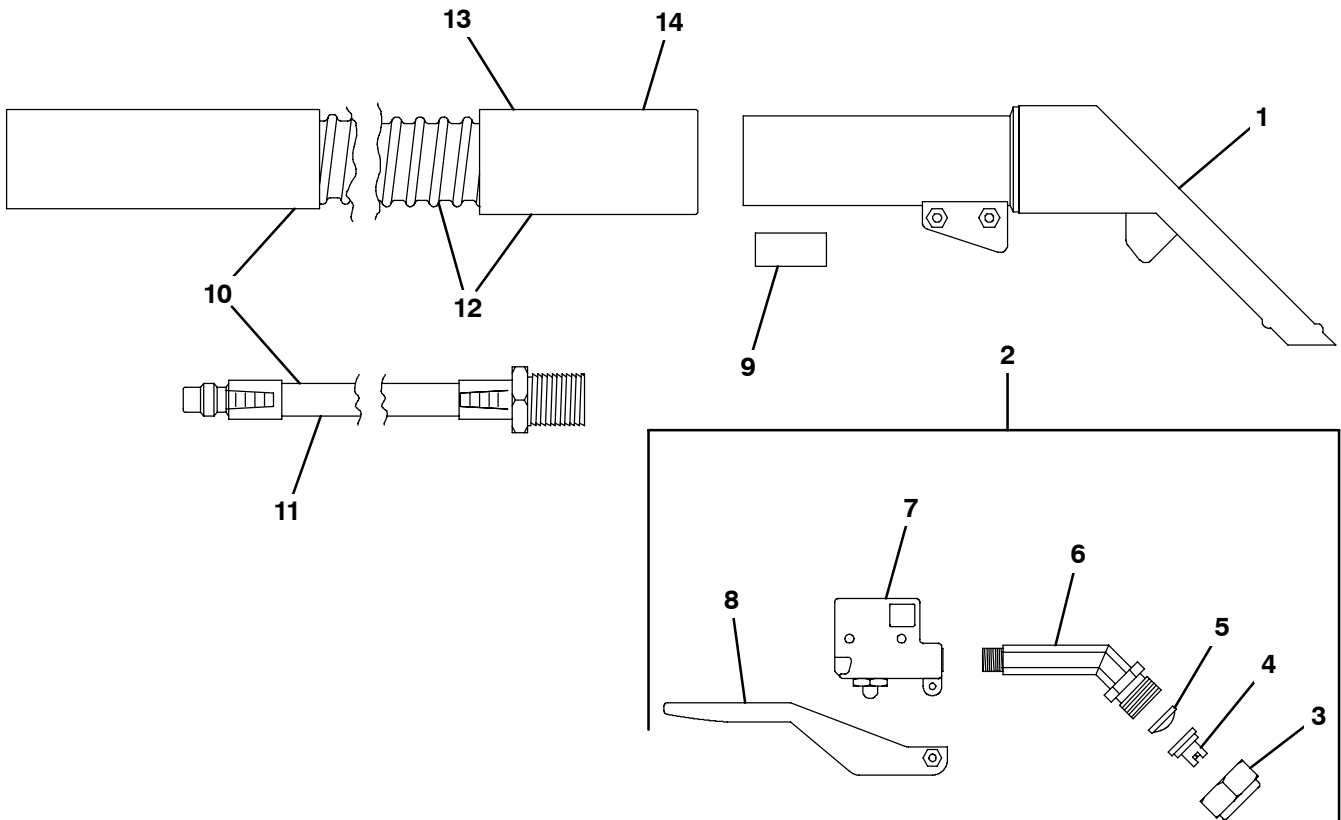
▽ ASSEMBLY

▲ INCLUDED IN ASSEMBLY

● RECOMMENDED STOCK ITEMS

HAND TOOL GROUP, 4 in / 101 mm

355079



HAND TOOL GROUP, 4 in / 101 mm

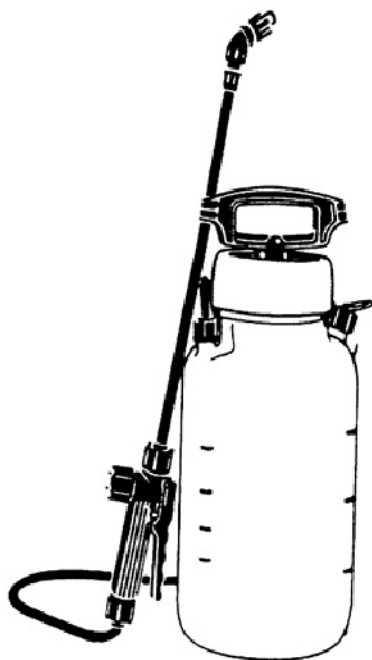
Ref.	Part No.	Serial Number	Description	Qty.
	613396	(10000000-20000000))● Tool Assy, Hand, 4.0w, 1.25d Hose[Ser 5]	1
▽	608901	(10000000-20000000))● Tool, Hand, W/ Trigger Assy	1
▲	1 608891	(10000000-20000000))● Tool, Hand, W/O Trigger Assy	1
▲▽	2 608899	(10000000-20000000)) Trigger, Hand Tool, Assy	1
▲▲	3 608897	(10000000-20000000))● Vr, Nut, Plstc, Spray Tip	1
▲▲	4 608896	(10000000-20000000))● Fitting, Spray, Tip 11003 Blue	1
▲▲	5 608900	(10000000-20000000))● Screen, Tool, Hand	1
▲▲	6 608895	(10000000-20000000)) Fitting, Nozzle, Spray	1
▲▲	7 608894	(10000000-20000000)) Fitting, Valve Body, Hand Tool	1
▲▲	8 608898	(10000000-20000000)) Trigger, Hand Tool	1
	9 608892	(10000000-20000000)) Seal, Hose, Soltn	1
▽	10 613395	(10000000-20000000))● Hose, Vacuum, 1.25id X 104.0l, 2cuff	1
▲	11 608893	(10000000-20000000))● Hose, Soltn, Hand Tool	1
▲▽	12 613394	(10000000-20000000))● Hose, Vacuum, 1.25id X 104.0l, 1cuff,Blk	1
▲▲	13 613393	(10000000-20000000))● Hose, Vacuum, 1.25id X 088.0l [I-Helix]	1
▲▲	14 609440	(10000000-20000000))● Cuff, Hose, 1.5slip X 1.25thd Blk	1
	N/S 220040	(10000000-20000000))● Bag, Hose, Accssry, 24x36[W/Draw String]	1

▽ ASSEMBLY

▲ INCLUDED IN ASSEMBLY

● RECOMMENDED STOCK ITEMS

PUMP-UP CARPET SPRAYER



Ref.	Part No.	Serial Number	Description	Qty.
	605848	(10000000-20000000)	• Sprayer 2gal Pumpup Hd	1

• RECOMMENDED STOCK ITEMS